



MIND
YOUR
SPACE



FocusPod Assembly sheet

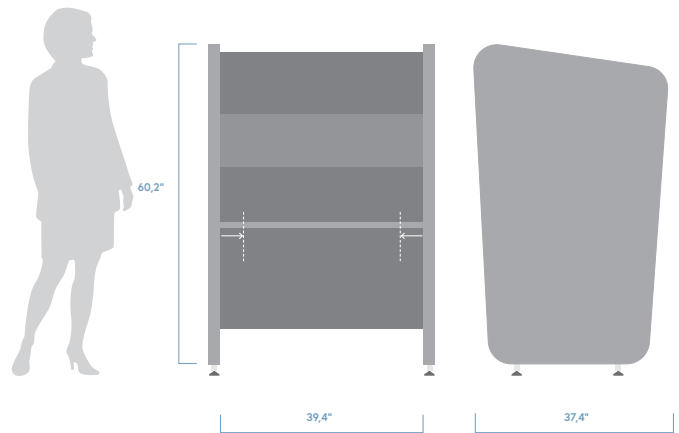
The FocusPod can easily be assembled by two people.
You can adjust the worktop to the height that suits you best.

Specifications

The dimensions of the FocusPod are:
LxWxH 37,4 x 39,4 x 60,2 inch

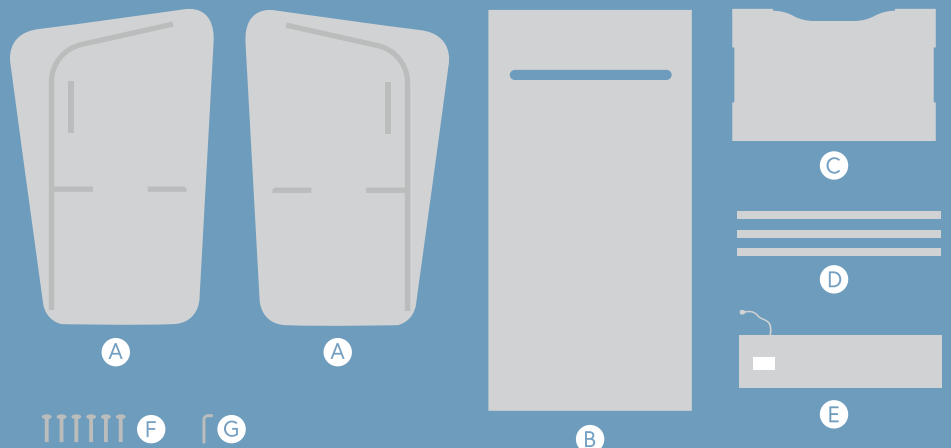
Technical panel:

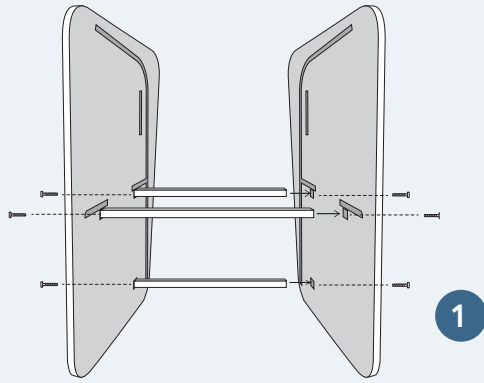
- 4000k indirect LED lighting, both bottom and top
- Wall outlet including USB-C and dimmable controller
- 118 Inch 230v cable, including EU plug, colour/black-and-white and CE-certified



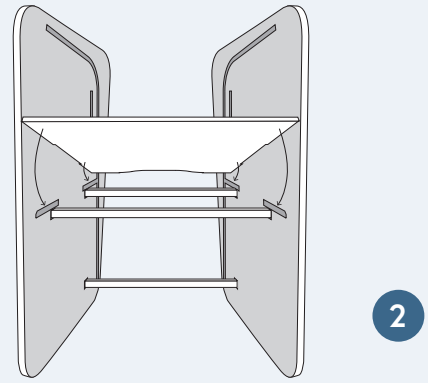
Box contents

- A Sidewalls
- B Rear wall
- C Worktop
- D Casings (3 units)
- E Technical panel
- F Bolts m8 (6 units)
- G Hexagonal key 5mm

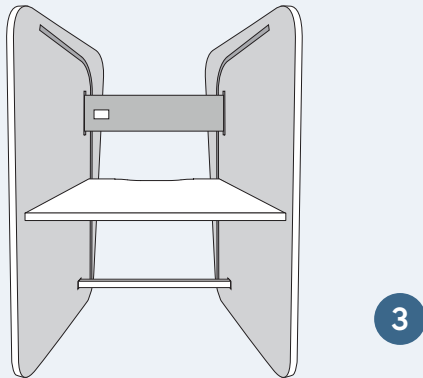




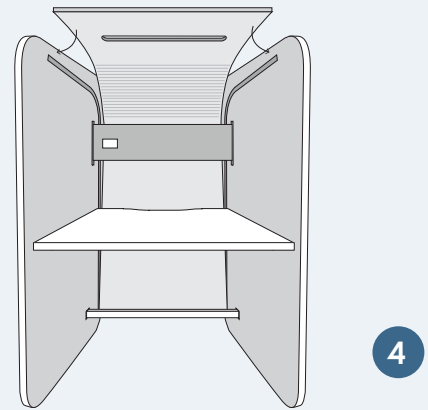
1



2



3



4

STEP 1

- Remove all the components from the packaging.
- Take one of the sidewalls and place it on the floor, on its legs.
- Take the three casings and place them in the recess on the inside of the wall.
- From the outside, screw three bolts into the casings; tightener for a maximum of 0.4 Inch.
- Take the other sidewall and screw the bolts to approximately 0.8 inch.
- Next, place the other sidewall on the floor, with the inside turned to the wall the casings are plugged into.
- Insert the casings into the recess of the new wall.
- From the outside, screw remaining three bolts into the casings; tightener for a maximum of 0.4 Inch.

STEP 2

- Take the worktop and press it into the four recesses.

STEP 3

- Next, take the technical panel and press it into the recession.
- Tighten the bolts of the technical panel manually.
- Swipe the plug of the technical panel through the recess in the worktop.
- Plug in and test if the lighting works.

STEP 4

- Take the rear wall and press it into the recesses found in both walls.
- Screw all 6 bolts tightly from the outside.
- Start working away!

Adjusting the height

The legs are easily adjustable when it is in an upright position. The line divider instantly shows you that they are all positioned at the same height (as an example the height is set to 3 lines by default, which means a worktop with a height of 29,1 Inch).

- 1 line 28,4"
- 2 lines 28,7"
- 3 lines 29,1"
- 4 lines 29,5"
- 5 lines 29,9"
- 6 lines 30,3"
- 7 lines 30,7"
- 8 lines 31,1"
- 9 lines 31,5"
- 10 lines 31,9"

Have a nice day!